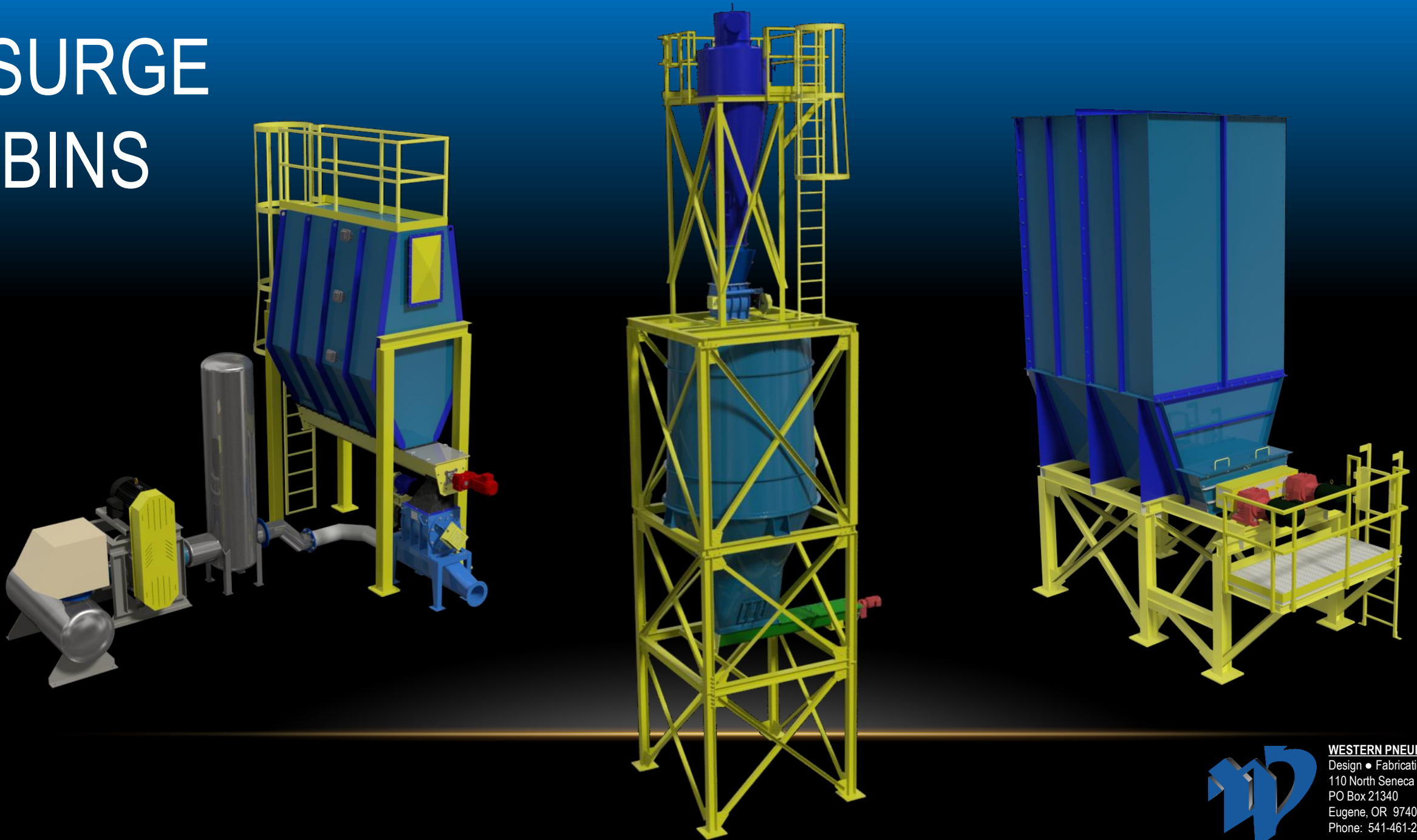
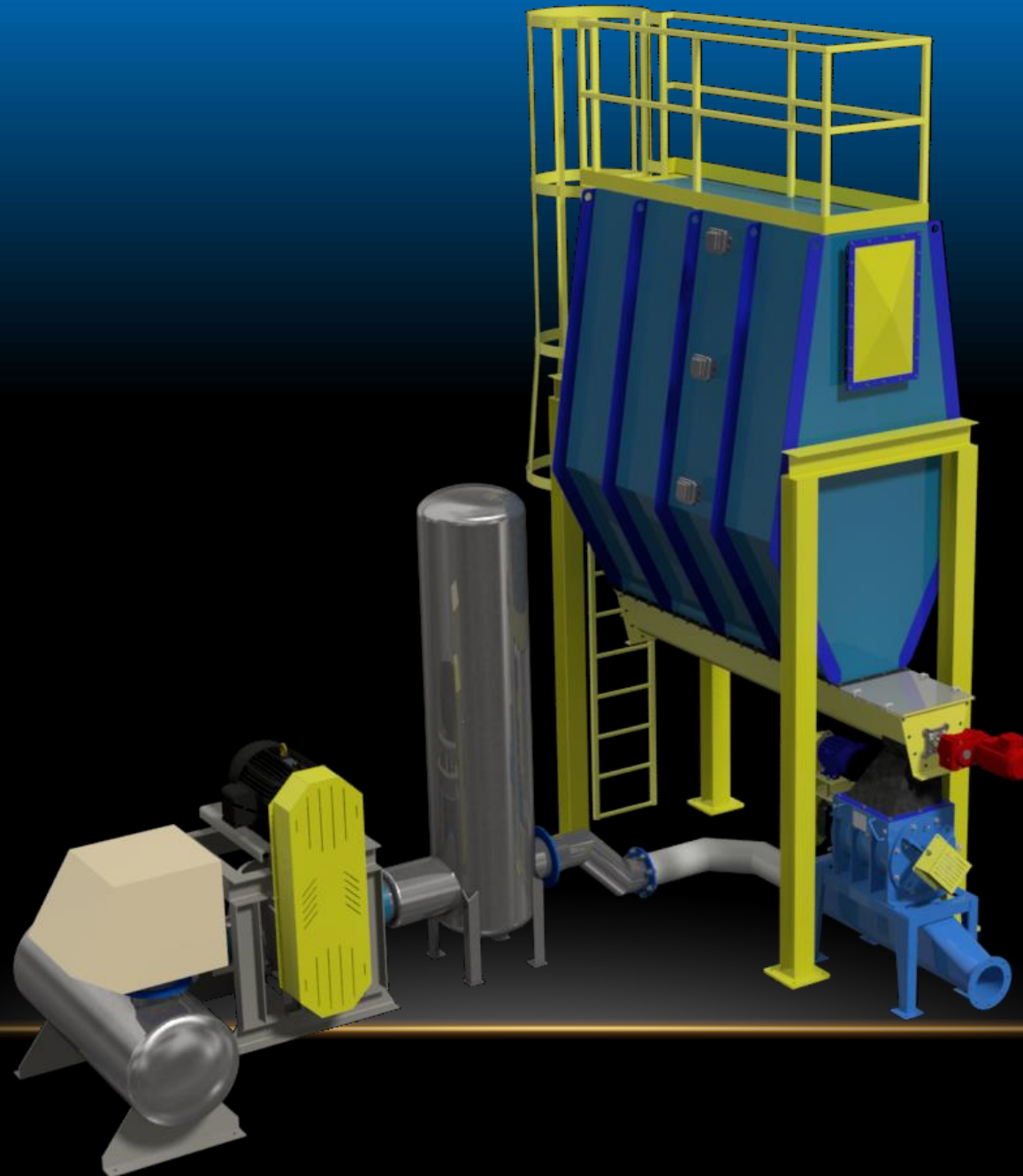


# SURGE BINS



**WESTERN PNEUMATICS, INC.**  
Design • Fabrication • Installation  
110 North Seneca Road  
PO Box 21340  
Eugene, OR 97402  
Phone: 541-461-2600

# SURGE BINS



One-unit surge  
bin with single  
screw discharge



**WESTERN PNEUMATICS, INC.**  
Design • Fabrication • Installation  
110 North Seneca Road  
PO Box 21340  
Eugene, OR 97402  
Phone: 541-461-2600

# SURGE BINS

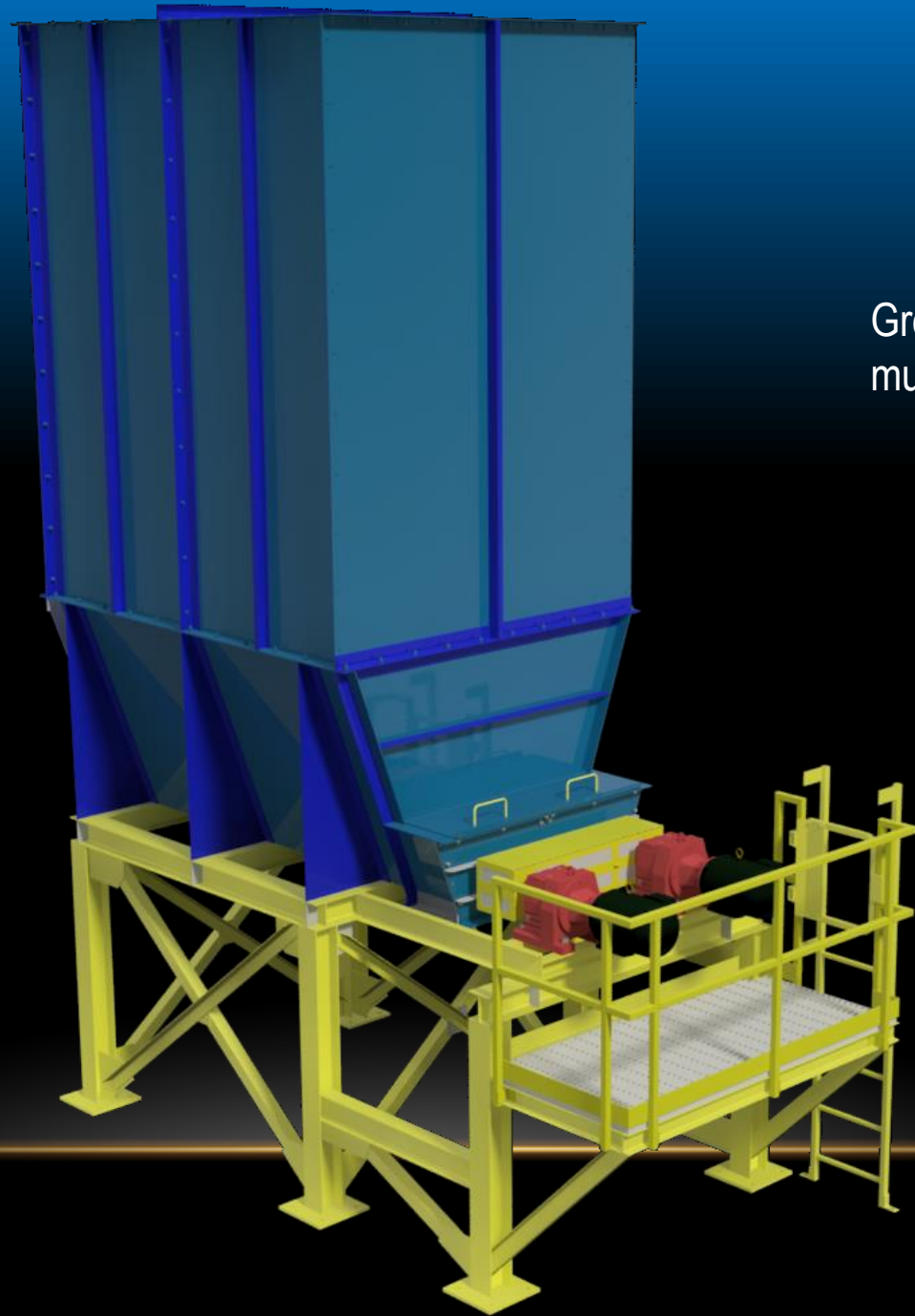


Chisel hopper for dry product – reduces bridging at discharge



**WESTERN PNEUMATICS, INC.**  
Design • Fabrication • Installation  
110 North Seneca Road  
PO Box 21340  
Eugene, OR 97402  
Phone: 541-461-2600

# SURGE BINS



Green sawdust bin with  
multiple screw discharge



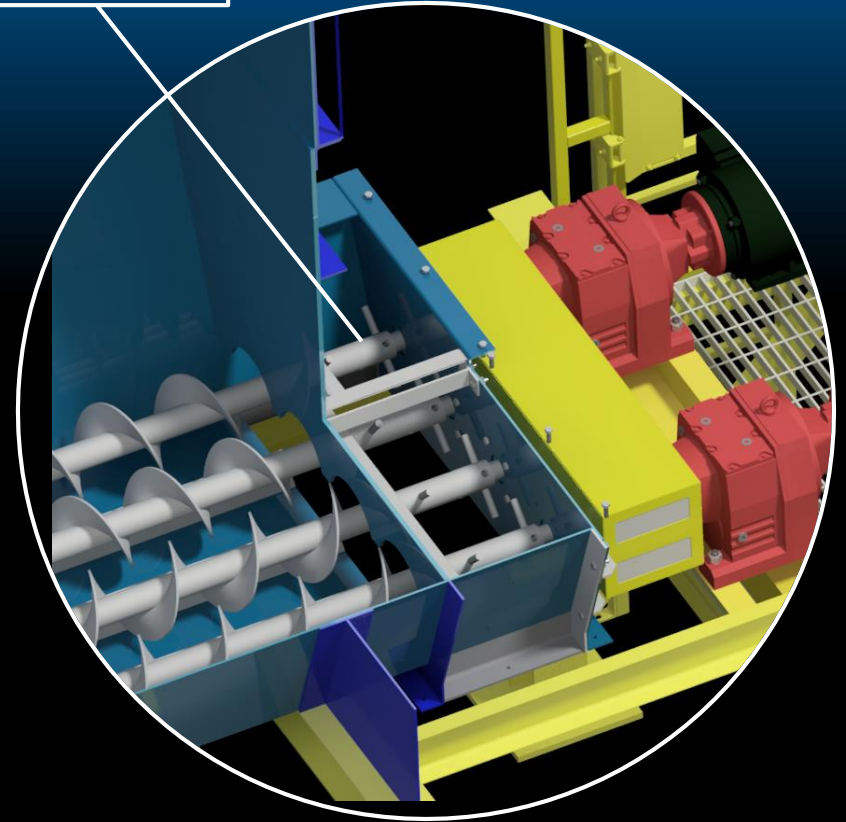
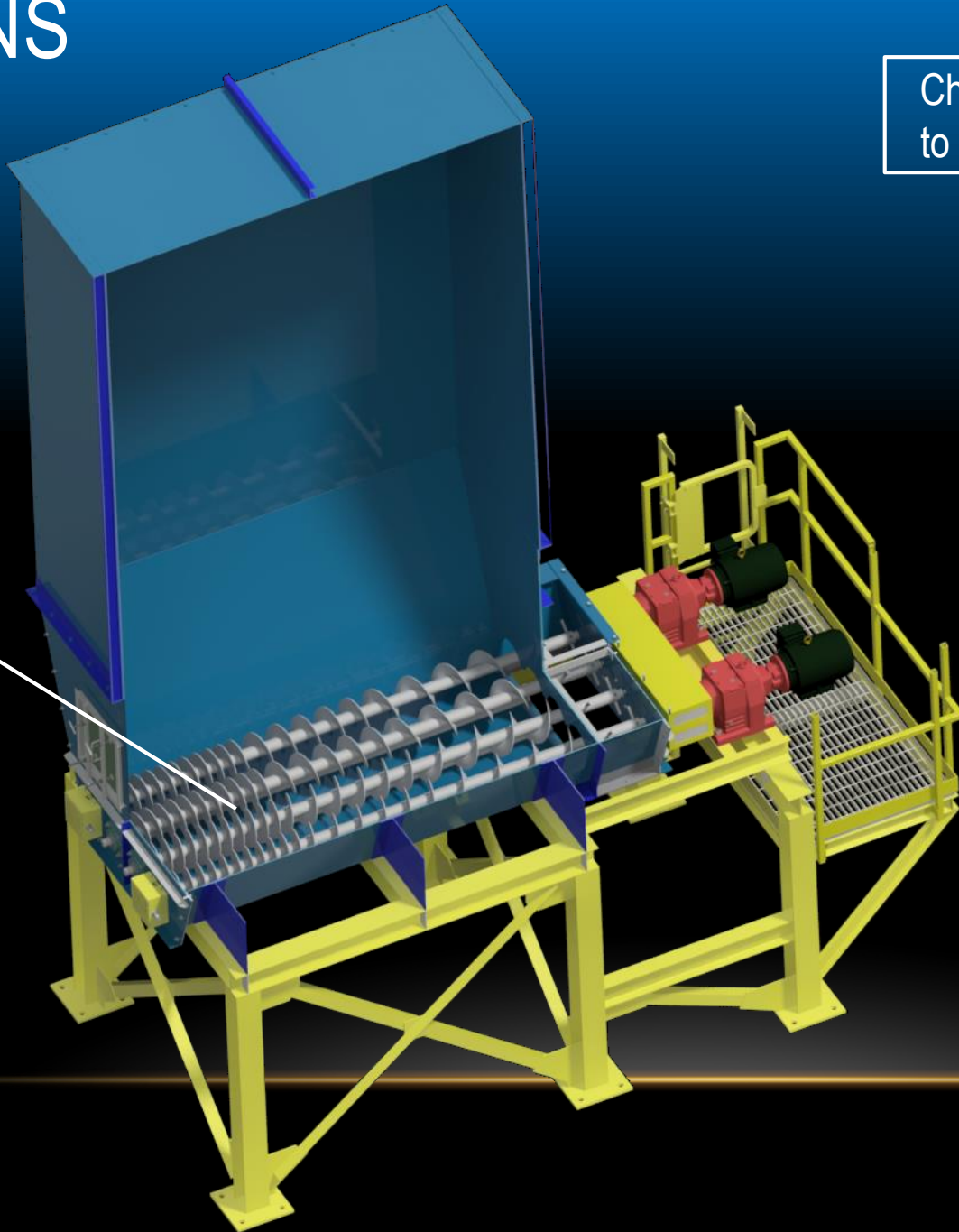
**WESTERN PNEUMATICS, INC.**  
Design • Fabrication • Installation  
110 North Seneca Road  
PO Box 21340  
Eugene, OR 97402  
Phone: 541-461-2600



# SURGE BINS

Graduated pitch screws to provide consistent discharge without overloading

Choke discharge to meter material



**WESTERN PNEUMATICS, INC.**  
Design • Fabrication • Installation  
110 North Seneca Road  
PO Box 21340  
Eugene, OR 97402  
Phone: 541-461-2600

# ABOUT WPI

- Western Pneumatics was founded in 1982 with our focus on high and low pressure pneumatic conveying and aspiration systems.
- Diversification has been a constant as we offer materials handling systems for wood products, environmental, biomass, agricultural and minerals.
- The headquarters in Eugene, Oregon, include the fabrication facilities with CNC machine centers, laser cutting machine, sandblasting and painting .
- An additional fabrication facility is located in Ruston, Louisiana.
- WPI typically offers turnkey systems including design, fabrication and installation.

## **WPI Corporate Headquarters**

110 N Seneca Road  
PO Box 21340  
Eugene, Oregon 97402

T. 541.461.2600  
F. 541.461.2606

## **WPI-South**

2601 McDonald Ave  
Ruston, LA 71270

T. 318.232.1307  
F. 318.232.7720



**WESTERN PNEUMATICS, INC.**  
Design • Fabrication • Installation  
110 North Seneca Road  
PO Box 21340  
Eugene, OR 97402  
Phone: 541-461-2600